

**OTECO® Model 72 | CAMERON® Type 'S' FLEX-SEAL GATE VALVES & PARTS**  
(100% Interchangeable)

**2", 3" & 4" - 2000, 3000 & 5000 PSI**

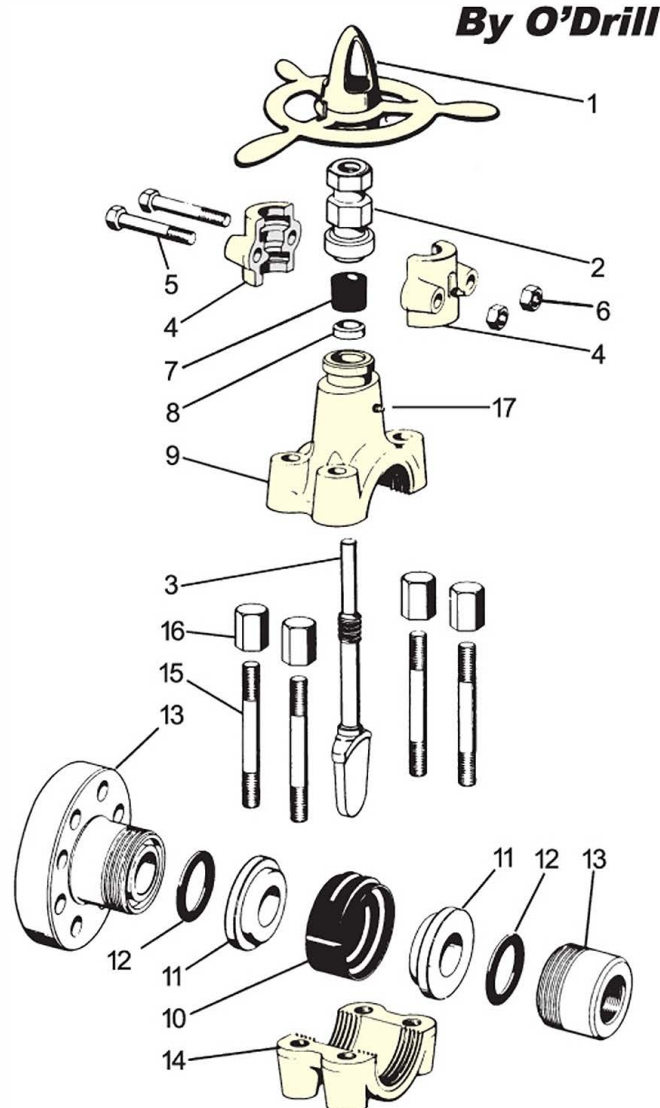
Top Quality.....Lowest Prices  
**GUARANTEED!!!**

**Cameron Part Numbers**

Part Name	Qty.	2000 psi WP					
		2" Scr	2" Flg	3" Scr	3" Flg	4" Scr	4" Flg
Valve Assembly		35088-02-01-01	35088-02-03-01	35088-03-01-01	35088-03-03-01	35088-04-01-01	35088-04-03-01
1 Handwheel	1	35347-01	35347-01	35347-02	35347-02	35347-03	35347-03
2 Stem Nut	1	35346-01	35346-01	35346-02	35346-02	35346-03	35346-03
3 Gate	1	35342-01	35342-01	35342-03	35342-03	35342-05	35342-05
4 Split Bonnet Assy.	1	35341-01	35341-01	35341-02	35341-02	35341-03	35341-03
5 Studs (Incl. in item 4)	2	12672-06	12672-06	12672-07	12672-07	12672-53	12672-53
6 Nuts (Incl. in item 4)	4	5926-05	5926-05	5926-05	5926-05	5926-05	5926-05
7 Stem Packing	1	8311-06	8311-06	8311-03	8311-03	8311-01	8311-01
8 Stem Packing Ring	1	6981-07	6981-07	6981-01	6981-01	6981-05	6981-05
9 Body	1	9819	9819	9809	9809	9827	9827
10 Gate Packing	1	9828	9828	9832	9832	9834	9834
11 Wear Plate	2	35345-01	35345-01	35345-02	35345-02	35345-03	35345-03
12 O-Ring	2	18491-35	18491-35	18492-10	18492-10	18492-27	18492-27
13 Sub	2	18755-01	18919-01	18755-02	18919-02	18755-03	18919-03
14 Cap	1	18865	18865	18868	18868	18869	18869
15 Studs	4	5912-04	5912-04	5912-55	5912-55	5913-58	5913-58
16 Stud Nuts	4	18912-01	18912-01	18912-01	18912-01	18912-02	18912-02
17 Grease Fitting	2	5929-01	5929-01	5929-01	5929-01	5929-01	5929-01

Part Name	Qty.	3000 psi WP					
		2" Scr	2" Flg	3" Scr	3" Flg	4" Scr	4" Flg
Valve Assembly		35088-02-07-01	35088-02-09-01	35088-03-08-01	35088-03-10-01	35088-04-13-01	35088-04-15-01
1 Handwheel	1	35347-02	35347-02	35347-03	35347-03	35347-04	35347-04
2 Stem Nut	1	35346-02	35346-02	35346-03	35346-03	35346-04	35346-04
3 Gate	1	35342-02	35342-02	35342-04	35342-04	35342-06	35342-06
4 Split Bonnet Assy.	1	35341-02	35341-02	35341-03	35341-03	35341-04	35341-04
5 Studs (Incl. in item 4)	2	12672-07	12672-07	12672-53	12672-53	12672-65	12672-65
6 Nuts (Incl. in item 4)	4	5926-05	5926-05	5926-05	5926-05	5926-05	5926-05
7 Stem Packing	1	8311-03	8311-03	8311-01	8311-01	8311-04	8311-04
8 Stem Packing Ring	1	6981-01	6981-01	6981-05	6981-05	6981-02	6981-02
9 Body	1	8197	8197	8313	8313	8214	8214
10 Gate Packing	1	7638-01	7638-01	8980	8980	7638-02	7638-02
11 Wear Plate	2	35344-01	35344-01	35344-02	35344-02	35344-03	35344-03
12 O-Ring	2	18492-35	18493-02	18493-02	18493-02	18492-21	18492-21
13 Sub	2	17783-01	17786-01	17783-03	17786-02	17783-02	17786-04
14 Cap	1	18866	18866	18867	18867	18870	18870
15 Studs	4	5912-55	5912-55	5914-18	5914-18	5915-40	5915-40
16 Stud Nuts	4	18912-01	18912-01	18912-03	18912-03	18912-04	18912-04
17 Grease Fitting	2	5929-01	5929-01	5929-01	5929-01	5929-01	5929-01

Part Name	Qty.	5000 psi WP					
		2" Scr	2" Flg	3" Scr	3" Flg	4" Scr	4" Flg
Valve Assembly		35088-02-21-01	35088-02-23-01	35088-03-21-01	35088-03-23-01	35088-04-27-01	35088-04-29-01
1 Handwheel	1	35347-02	35347-02	35347-03	35347-03	35347-04	35347-04
2 Stem Nut	1	35346-02	35346-02	35346-03	35346-03	35346-04	35346-04
3 Gate	1	35342-02	35342-02	35342-04	35342-04	35342-06	35342-06
4 Split Bonnet Assy.	1	35341-02	35341-02	35341-03	35341-03	35341-04	35341-04
5 Studs (Incl. in item 4)	2	12672-07	12672-07	12672-53	12672-53	12672-65	12672-65
6 Nuts (Incl. in item 4)	4	5926-05	5926-05	5926-05	5926-05	5926-05	5926-05
7 Stem Packing	1	8311-03	8311-03	8311-01	8311-01	8311-04	8311-04
8 Stem Packing Ring	1	6981-01	6981-01	6981-05	6981-05	6981-02	6981-02
9 Body	1	12985	12985	12983	12983	12975	12975
10 Gate Packing	1	7638-01	7638-01	8980	8980	7638-02	7638-02
11 Wear Plate	2	35344-01	35344-01	35344-02	35344-02	35344-03	35344-03
12 O-Ring	2	18492-35	18492-35	18493-2	18493-2	18492-21	18492-21
13 Sub	2	17783-01	17786-01	17783-03	17786-07	17783-02	17786-03
14 Cap	1	18914	18914	18915	18915	18916	18916
15 Studs	4	5913-26	5913-26	5915-66	5915-66	5917-43	5917-43
16 Stud Nuts	4	18913-01	18913-01	18913-02	18913-02	18913-03	18913-03
17 Grease Fitting	2	5929-01	5929-01	5929-01	5929-01	5929-01	5929-01



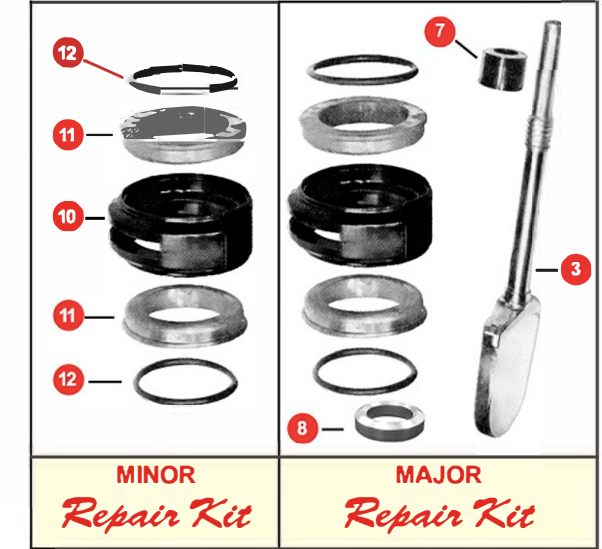
By O'Drill

**OTECO® Model 72 | CAMERON® Type 'S' FLEX-SEAL GATE VALVES & PARTS**  
(100% Interchangeable)

Manufactures complete gate valves and replacement parts for OTECO Model 72 or 66 and Cameron Type 'S' Flex-Seal Gate Valves in the 2", 3" & 4" sizes (low and high pressures).

- \* All parts come with complete material certification and traceability.
- \* Please order by Part Numbers.
- \* Most orders shipped the same day!
- \* **To order:**  
Specify a) Size  
b) Pressure  
c) End connections

**ORDER NOW! & SAVE**



VALVE P/N >  
WEIGHT >

**Oteco Part Numbers (for quick reference)**

No Req'd	Part Name	2 - Inch			3 - Inch			4 - Inch			5 - Inch		
		2,000 WP V-224	3,000 WP V-236	5,000 WP V-250	2,000 WP V-324	3,000 WP V-336	5,000 WP V-350	2,000 WP V-424	3,000 WP V-436	5,000 WP V-450	2,000 WP V-524	3,000 WP V-536	5,000 WP V-550
		58.00	84.00	86.00	100.00	168.00	168.00	163.00	250.00	250.00	175.00	26.00	28.00
1	Handwheel	1	HW-2122	HW-3242	HW-3242	HW-3242	HW-4242	HW-4242	HW-4362	HW-4362	HW-4242	HW-4362	HW-4362
2	Stem Nut	1	SN-2242	SN-3242	SN-3242	SN-3242	SN-4242	SN-4242	SN-4362	SN-4362	SN-4242	SN-4362	SN-4362
3	Gate	1	G-224	G-236	G-236	G-324	G-336	G-336	G-424	G-436	G-424	G-436	G-436
4	Split Bonnet Assembly	1	SB-2122	SB-3242	SB-3242	SB-3242	SB-4242	SB-4242	SB-4362	SB-4362	SB-4242	SB-4362	SB-4362
5	Bonnet Bolt	2	BB-2242	BB-3242	BB-3242	BB-3242	BB-4242	BB-4242	BB-4362	BB-4362	BB-4242	BB-4362	BB-4362
6	Bonnet Nut	2	NB-2345	NB-2345	NB-2345	NB-2345	NB-2345	NB-2345	NB-2345	NB-2345	NB-2345	NB-2345	NB-2345
7	Stem Packing	1	S-224	S-324	S-324	S-324	S-424	S-424	S-424	S-424	S-424	S-436	S-436
8	Stem Packing Ring	1	SPR-224	SPR-324	SPR-324	SPR-324	SPR-424	SPR-424	SPR-424	SPR-424	SPR-424	SPR-436	SPR-436
9	Valve Body	1	VB-224	VB-236	VB-250	VB-324	VB-336	VB-350	VB-424	VB-436	VB-450	VB-424	VB-436
10	Gate Packing	1	224	236	236	324	336	336	424	436	436	424	436
11	Wear Plate	2	WP-2242	WP-2362	WP-2362	WP-3242	WP-3362	WP-3362	WP-4242	WP-4362	WP-4362	WP-4242	WP-4362
12	O' Ring	2	OR-224	OR-236	OR-236	OR-324	OR-336	OR-336	OR-424	OR-436	OR-436	OR-424	OR-436
13	Threaded Body Sub	2	TBS-2241	TBS-2361	TBS-2361	TBS-3241	TBS-3361	TBS-3361	TBS-4241	TBS-4361	TBS-4361	TBS-5241	TBS-5361
14	Body Cap	1	BC-224	BC-236	BC-250	BC-324	BC-336	BC-350	BC-424	BC-436	BC-450	BC-424	BC-436
15	Body Stud Bolt	4	BS-224	BS-324	BS-250	BS-324	BS-336	BS-350	BS-424	BS-436	BS-450	BS-424	BS-436
16	Body Stud Nut	4	BN-224	BN-224	BN-250	BN-224	BN-336	BN-350	BN-424	BN-436	BN-450	BN-424	BN-436

\* O.E.M. Parts numbers used in this catalog are for reference only.  
\* OTECO and \*CAMERON are registered trade marks of other companies. Is no way affiliated with these Companies. The part numbers listed above are for identification purpose only.

*We Sell for Bestman!!!*